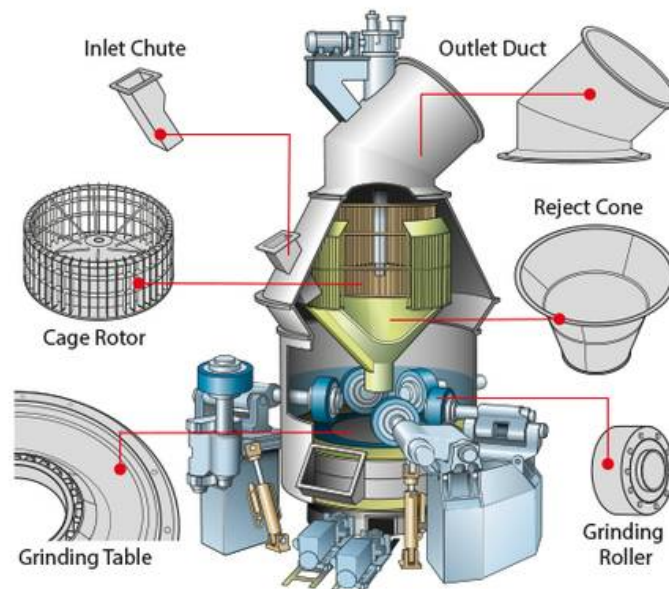


Working principle of the vertical roller mill

The material through the feed tube fell into the center of grinding plate, and then the materials outwards the surrounding area of grinding plate at centrifugal force, to forms a certain thick layer of materials bed, at the same time material was crushed by number of rollers. The materials continuous moving to the outer edge of the grinding plate, off the grinding plate materials rising with the hot air which enter from wind ring into the vertical roller mill, through the [vertical roller mill](#) shell into the middle of the separator, in this course materials and hot gas got a fully heat exchange, the water quickly evaporates. Separator controls the finished product output size, greater than the specified size are separated and fall back to the plate, while meet the fineness demands are brought through the separator into the finished product warehouse.

Vertical roller mill operation



1. Ensuring the safe operation of the [vertical roller mill](#) for a long time, and at the same time to have the necessary maintenance tools as well as grease and corresponding vertical roller mill operating, should formulate equipment “equipment maintenance safe operating system” in the attachment.

2. The use of more than 500 hours to replace mill roller, roller rolling bearing internal Settings must be clean, damaged parts should be replaced in a timely manner, timely refueling tools available manual pump.

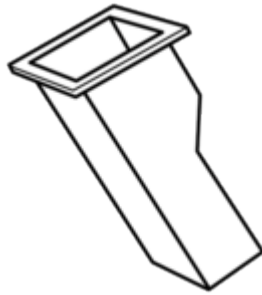
3. Vertical roller mill in use process, should be fixed personnel, operation personnel must have a certain technical level. Prior to installation, vertical roller mill must provide the necessary technical training to operators, to understand the

performance of the vertical roller mill, familiar with the principle of operation procedures.

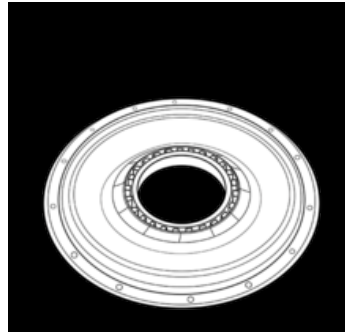
1. After a period of time after the use of vertical roller mill, should be maintained. Roll grinding ring and shovel replacement/repair parts processing, such as roller device in use for connecting bolt and nut should be checked before and after, and see whether there is loose phenomenon, add lubricating oil.

Parts of vertical roller mill

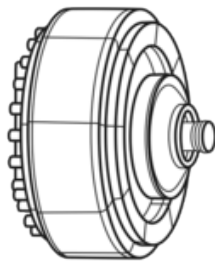
Inlet chute



grinding table



Grinding roller



outlet chute

